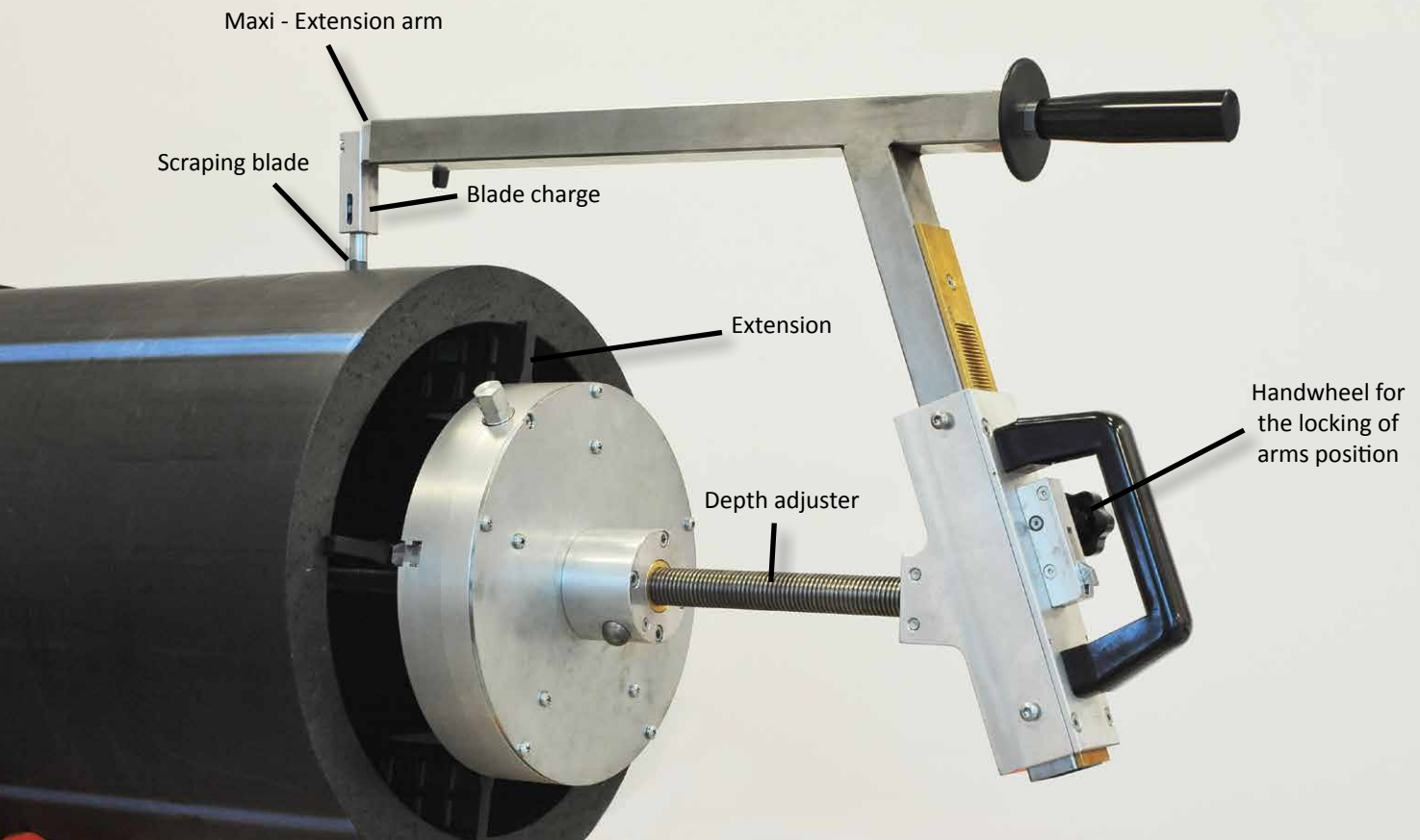


RTC 500
SCRAPER
PERFECT JOB



THE SMOOTH SCRAPING

RTC 500 is the choice of the professional who wants quality during the scraping process. Created from the merge of the RTC 315 and RTC 710 models. It is a precise, versatile scraper with a wide working range: from \varnothing 180 mm to 500 mm (8" IPS ÷ 20" IPS). Smooth rotation has always been a virtue of RTC scrapers, and as the working diameters increase, the more this feature is appreciated.

A tensioner allows a quality chip with constant thickness even with oval pipe. The blade arm is telescopic, making the RTC 500 "MAXI." This extension of the scraping length up to 465 mm allows chip removal up to the full length of the electrical coupler.

Relying on the quality of RTC scrapers has always been ...the right choice!

**REMOVE
OXIDE
LAYER**

* According to:
- ISO 11922-1
- DVS 2207-1
- DVS 2207 - 11
- UNI 12201-2
- ASTM D3035
- PIPA : POP001

**PERFECT
EVEN ON
OVALIZED
PIPES***

**1
QUICK
INSTALL**

**2
FAST
SCRAPING**

**3
ACCURATE
EXECUTION**

**MAXI:
SCRAPE FULL
LENGHT OF THE
ELECTRICAL
COUPLER**

MAXI + 170 mm

465 mm = 295 + 170 mm

RTC 500 Benefits

- 1 - Easy to install - you can't go wrong
- 2 - Saves time on positioning and fixing
- 3 - Smooth and consistent motion
- 4 - Designed to ensure quality scraping over the years

SPEED,
ACCURACY!

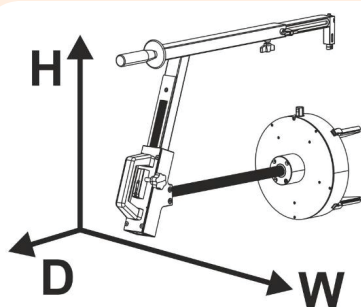
**ALL
WELL
ARRANGED**

The carrying case makes it easy to move around with built-in wheels.

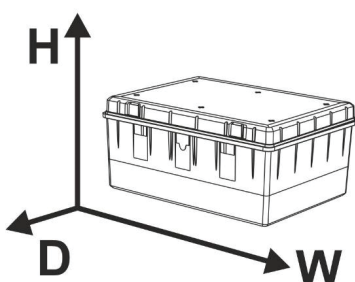
Inside, a padding keeps the scraper, attachment extensions and tools.

TECHNICAL FEATURES

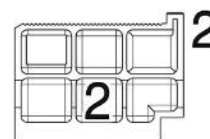
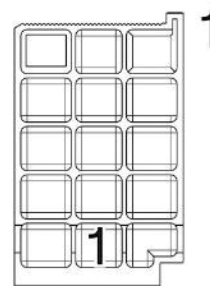
Working range OD - External Diameter	Ø 180 ÷ 500 mm; 8" IPS ÷ 20" IPS
Working range ID - Internal Diameter	Ø 110 ÷ 485 mm; 4.3" ÷ 19.1"
Materials	HDPE, PP For other materials contact RITMO S.P.A.
Scraping length	up to 465 mm - 18.3"
Dimension Max pipe scraper	780 x 500 x 250 mm 31" x 20" x 10"
Carrying case size	480 x 280 x 750 mm 19" x 11" x 30"
Carrying case	Impact resistant hard plastic
Weight	14 Kg; 31 lb
Carrying case weight	10 Kg; 22 lb



H: 500mm, 20in
W: 250mm, 10in
D: 780mm, 31in



H: 280mm, 11in
W: 750mm, 30in
D: 480mm, 19in



Extension

Working range ID Internal diameter - without extension	Ø 110 ÷ 315 mm 4.3" ÷ 12.4"
Working range ID Internal diameter - with extension N° 1	Ø 355 ÷ 485 mm 14" ÷ 19.1"
Working range ID Internal diameter - with extension N° 2	Ø 230 ÷ 354 mm 9" ÷ 13.9"

The information and photos in this publication are not binding and RITMO S.P.A. is free to make any alterations without prior notice. Ed. 06-2023

RITMO S.P.A

Via A Volta, 35/37 - Bressio di Teolo (Padova) Italy

Ph. + 39 049 9901888 Fax +39 049 9901993 - info@ritmo.it - www.ritmo.it